



SPECIFICATION

Royal™ Collection Surface Mounted Waste Receptacle shall hold 48.4 liters of waste material. Receptacle body shall be formed seamless and shall have bowed front face and gently radiused front vertical edges to provide added strength and complimentary appearance for modern washroom aesthetics. Unit body shall be 20 gauge type 304 stainless steel alloy 18-8 with satin finish and be protected during shipment with PVC film that is easily removable after installation. Receptacle full top edge is hemmed with return to inside for user and service safety. Receptacle shall have four (4) interior hooks for hanging a reusable heavy gauge vinyl liner bag with grommets (by others) and shall have no exposed fastening devices or spot-welded seams. Receptacle shall be screw mounted to wall through keyhole slots with concealed heavy gauge type 304 stainless steel reinforcement straps.

INSTALLATION

For general utility mount the receptacle 711 to 1016mm above finished floor (AFF) from top of unit. Hang unit on wall with four (4) pre-installed screws (by others) through the mounting keyhole slots provided into suitable wall reinforcements (by others).

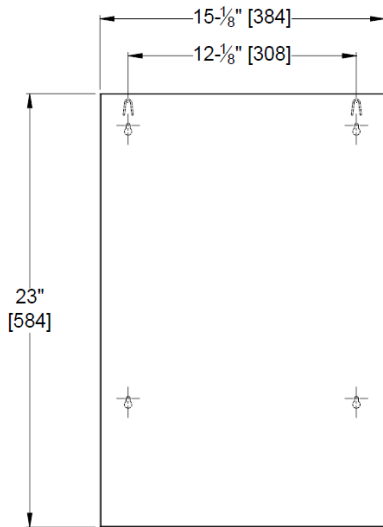
OPERATION

User deposits waste material. Maintenance schedule determines trash removal cycle. Unload unit by removing either the disposable bag or reusable liner bag (both by others) to empty into appropriate bulk collection container.

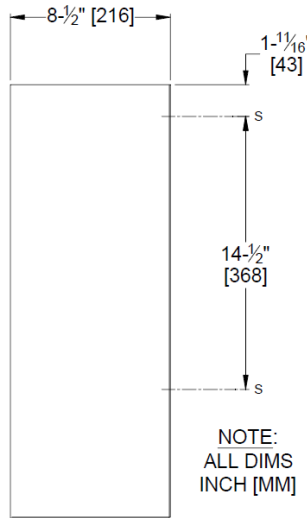
WARRANTY

One year.

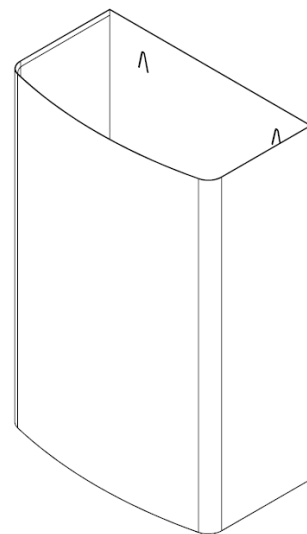
Surface Mounted Waste Bin shall be Model No. 10-20826 as supplied by ASI JD MacDonald.



FRONT VIEW



NOTE:
ALL DIMS
INCH [MM]



ASI JD MacDonald reserves the right to, and does from time to time, make changes and improvements in design and dimensions. The photographs and line drawings of the products in this flyer are representational only. All dimensions are in millimetres.