

OVERVIEW:

- 304 stainless steel, satin brushed finish
- One-piece seamless drawn body
- 170mm O.D. ring / 140mm internal opening
- Suits joinery and laminate benchtops

Overall Size:

170mm dia. x 102mm drop

SPECIFICATION:

MATERIAL & FINISH

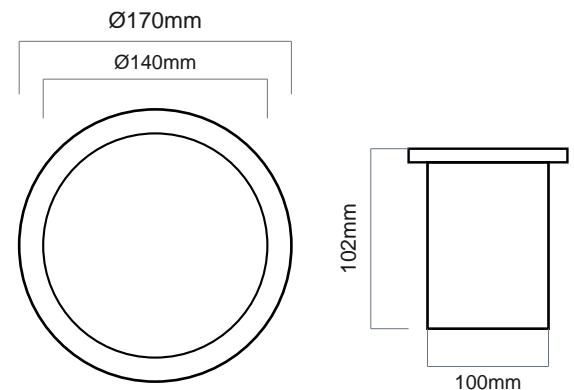
304-grade stainless steel, 2.0mm wall thickness.
Drawn in a single seamless pass, no welds or joins.
Visible surfaces finished satin brushed.

FITTING NOTES

Confirm bench cut-out before fabrication.
Cut a 140mm diameter hole for the insert lip.
Bed the rim onto the benchtop with silicone sealant.

SPECIFIER NOTE

Waste chute to be 304-grade stainless steel, 2.0mm wall thickness, single-piece seamless drawn body, satin brushed finish to all exposed faces.





Material: SUS304 stainless steel
Thickness: 2.0 mm

