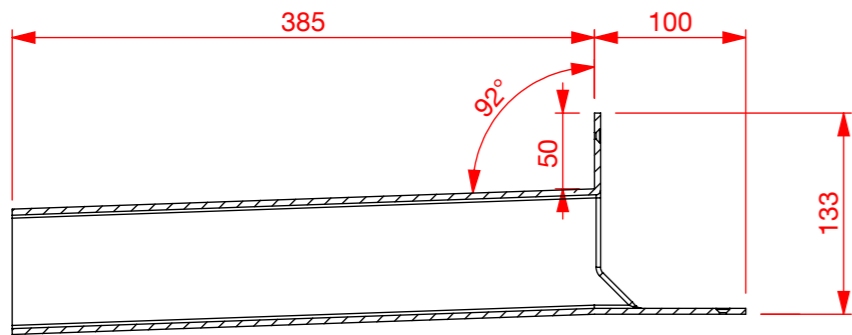
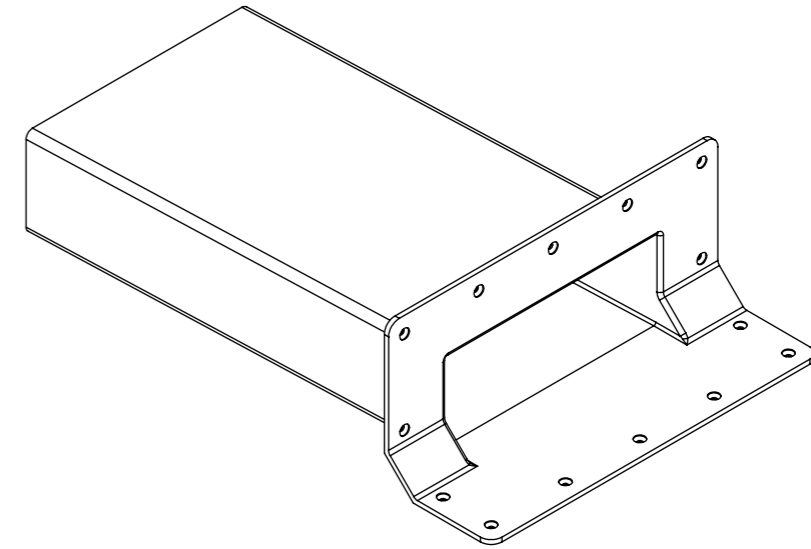
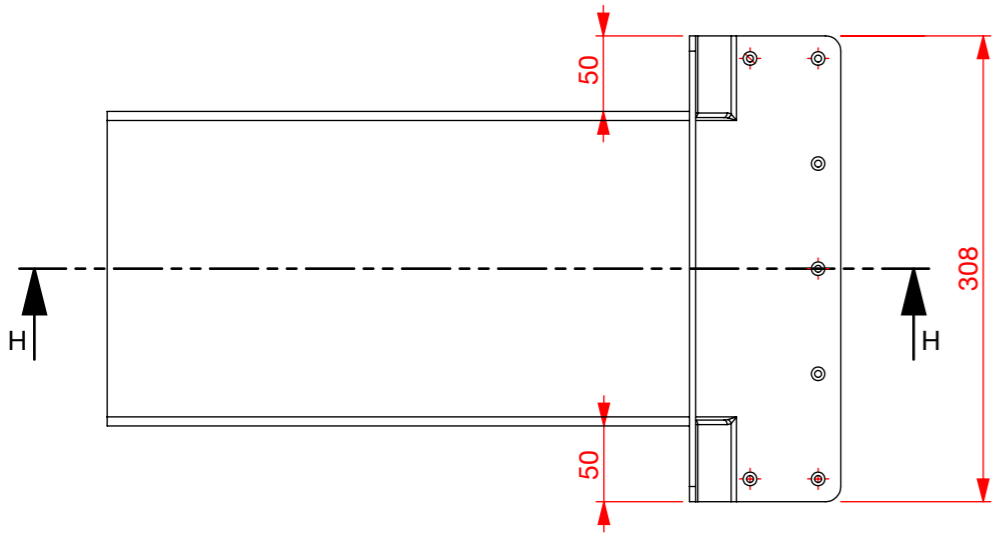
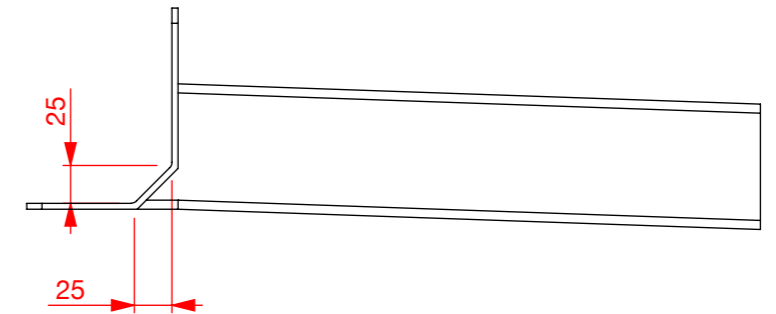
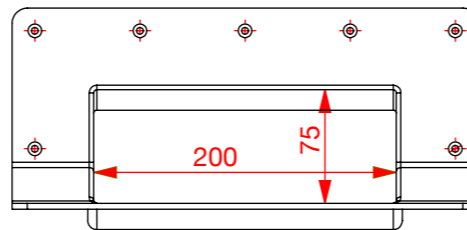


DESCRIPTION	
CODE	FINISH
SCUP 200x75F	PLASTIC



SECTION H-H



DISCLAIMER : THE DESIGN SUGGESTION IS PROVIDED FOR EVALUATION PURPOSES ONLY.
IT IS NOT TO BE CONSIDERED A FULL DESIGN AS WE ARE NOT THE CONSULTING ENGINEERS. WE ARE MANUFACTURERS. WE ARE NOT PRIVY TO ALL THE INFORMATION PERTAINING TO THIS MATTER AND WE HAVE NO CONTROL OVER THE PROJECT INSTALLATION OF THE PRODUCT. THE DESIGN SUGGESTION IS PROVIDED WITHOUT OBLIGATION. DESIGN IS TO BE CONFIRMED AND APPROVED BY THE ARCHITECT, HYDRAULICS ENGINEER, OR PROJECT MANAGER. ACCURATE MEASUREMENTS SHOULD BE CONFIRMED BY THE PERSON APPROVING THE DESIGN. ALLPROOF ACCEPTS NO LIABILITY FOR THE IMPROPER USE OF THE DESIGN SUGGESTION.

TOOL NUMBER	0.0
PART WEIGHT(GRAMS)	0.0
FILE	S\CAD FILES\2019\DRAINAGE\INJ\PLASTIC SCUPPER NON CLAMPING\PLASTIC SCUPPER 200X75

XXX	XXX	XXX	SL	XXX
REVISION	CHANGE	DESCRIPTION	DRAWN	DATE
DO NOT SCALE DRAWING		TITLE		
REQUESTED	XXX	DATE	SCUPPER 200X75X25 FILLET 385 LONG	
DRAWN	S.L.	DATE		
		28.2.2019		
APPROVED		DATE	APPLICABLE STANDARD(S):	
MATERIAL		DRAWING REF NUMBER		
HDPE		SCUP200X75F		
A3	UNITS = MM	SCALE (UOS)	1 : 5	SHEET 2 OF 2