

316 SS Tile Insert Floor Waste — 100 × 100mm

316 Stainless Steel | Tile Insert | 100mm × 100mm Grate | Suit 80mm Drain | SKU: SST635B

SPECIFICATIONS

Product	Tile Insert Floor Waste
SKU	SST635B
Brand	Linkware
Material	316 Stainless Steel
Grate Size	100mm × 100mm
Drain Outlet	Ø76mm (Suit 80mm)
Body Depth	44mm
Flange	26mm
Warranty	2 Years
Application	Indoor & Outdoor

KEY FEATURES

- ✓ Grade 316 SS — superior corrosion resistance
- ✓ 100 × 100mm tile insert — flush, modern finish
- ✓ Seamless flush-to-floor tile finish
- ✓ Suits 80mm drain outlet (Ø76mm body)
- ✓ 6 finishes — SS, Chrome, Gold, Gunmetal, Black, Copper
- ✓ Bathrooms, ensuites, alfresco & pool surrounds
- ✓ Indoor & outdoor rated
- ✓ 2 Year warranty

ORDERING GUIDE

Stainless Steel	SST635B
Chrome	SST635CH
Brushed Gold	SST635BG
Gunmetal	SST635GM
Matte Black	SST635MB
PVD Copper	SST635COP

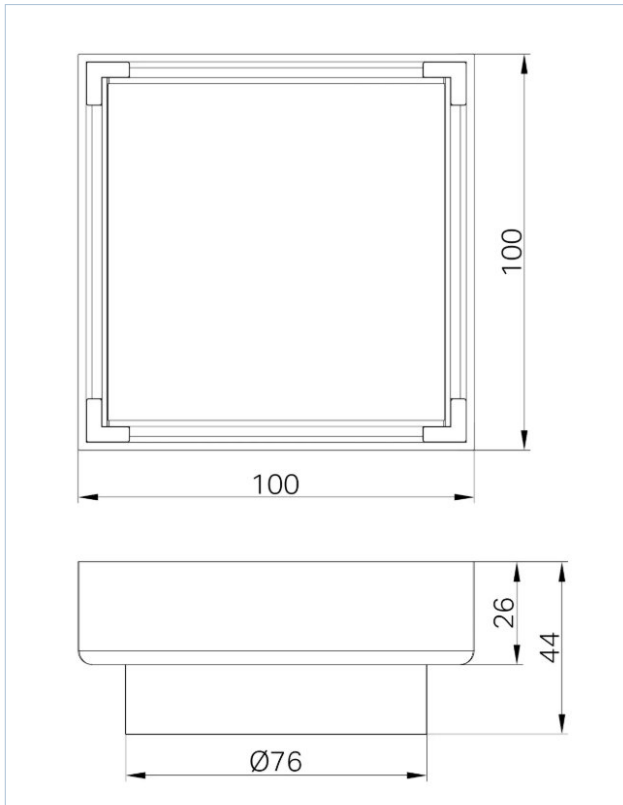
PRODUCT DESCRIPTION

The **SST635B** is a 316 stainless steel tile insert floor waste built for lasting corrosion resistance in both indoor and outdoor wet area applications. Manufactured from grade 316 stainless steel, it withstands demanding environments including pool surrounds, alfresco areas, and coastal installations.

The 100mm × 100mm grate accepts a tile insert, creating a seamless, flush-to-floor finish that integrates cleanly with standard floor tiling. Suited to an 80mm drain outlet (Ø76mm body) with a 44mm overall depth and 26mm flange, it installs neatly into bathrooms, ensuites, laundries, alfresco areas, and pool surrounds.

Available in six finishes: **Stainless Steel, Chrome, Brushed Gold, Gunmetal, Matte Black** and **PVD Copper**. Backed by a 2-year warranty for indoor and outdoor installations.

TECHNICAL DRAWING



Grate	Outlet	Depth	Flange
100 × 100mm	Ø76mm	44mm	26mm