

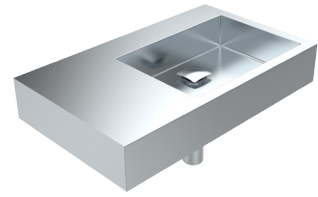
# ACCESSIBLE BELLAGIO BASIN



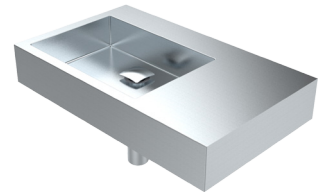
AS-1428  
COMPLIANT



*HBBEL-D Bellagio Accessible Basin with central integral shelf and optional Bottle Trap*



*HBBEL-D-SL - Bellagio Accessible Basin with Left Hand Integral Shelf and optional bottle shelf*



*HBBEL-D-SR - Bellagio Accessible Basin with Right Hand Integral Shelf and optional bottle shelf*

## features and benefits

- Modern, square profile
- Fully hand made, seamless design
- Grade 304 satin stainless steel
- Double-skinned robust construction
- Larger back landing to meet AS1428.1 shelf requirement
- Back landing available to the left or right (HBBEL-D-SL/SR)
- Wall mounted
- 40mm square waste outlet
- 1, 2 or 3 tap holes

## about

The BRITEX *Accessible Bellagio Wash Basin* is a fully hand made, double-skinned stainless steel wash basin. Manufactured from heavy gauge commercial grade stainless steel, the Accessible Bellagio wash basin is supplied complete with a 40mm waste outlet and is both functional and robust. Designed with a larger back landing that meets AS1428.1 shelf requirements allows for the basin to be compliant without an additional shelf unit. For design flexibility the landing is also available to the left or right of the basin. The Accessible Bellagio Basin is designed to be wall mounted.

## sample spec. text

*BRITEX Stainless Steel Accessible Bellagio Wall Mounted Basin - 450L x 450W x 100H O/A - complete with square pop waste and integral **centre/left/right** shelf space - Product Code HBBEL-D-XX*

\*RED TEXT may denote a **variable** where one option only is to be selected, a **nominal dimension** that needs to be specified, or an **optional feature** that can be removed if not required. Please refer to the back of this page for additional specification details and options.

VISIT [BRITEX.COM.AU](http://BRITEX.COM.AU) TO DOWNLOAD BIM FILES, CAD DRAWINGS AND THE MOST CURRENT PRODUCT LITERATURE.



**MELBOURNE**  
Britex Place, Mirra Crt  
Bundoora VIC 3083  
t (03) 9466 9000  
e vic@britex.com.au

**SYDNEY**  
16 Northumberland Drv  
Taren Point NSW 2229  
t (02) 9531 2100  
e nsw@britex.com.au

**PERTH**  
Unit 1/8 Principal Link  
Malaga WA 6090  
t (08) 9249 5464  
e wa@britex.com.au

**BRISBANE**  
19 Manilla St  
East Brisbane QLD 4169  
t (07) 3363 2400  
e qld@britex.com.au

**ADELAIDE**  
The Britex Group  
SA State Office  
t 1300 764 744  
e sa@britex.com.au

[britex.com.au](http://britex.com.au) | [sales@britex.com.au](mailto:sales@britex.com.au) | A.B.N 83 004 309 737

# ACCESSIBLE BELLAGIO BASIN

PRODUCT CODE

## HBBEL-D

### HOW TO SPECIFY: Accessible Bellagio Basin

Sample Specification Code

A B C D  
HBBEL-D SL - TW-9103-BTRAP

= Accessible Bellagio Basin with Left Hand Shelf, Timed Flow Lever Tap and Bottle Trap

#### Specification Key

A = Product Code  
B = Shelf Position (DR for Right Hand, Leave Blank for Centre)  
C = Tapware (optional)  
D = Bottle Trap (optional)

#### Accessories



**TW-9108**  
Timed Flow Lever Pillar Tap



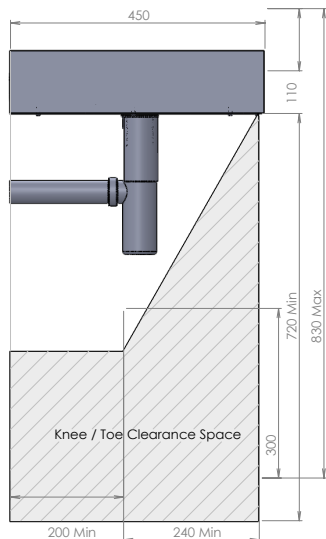
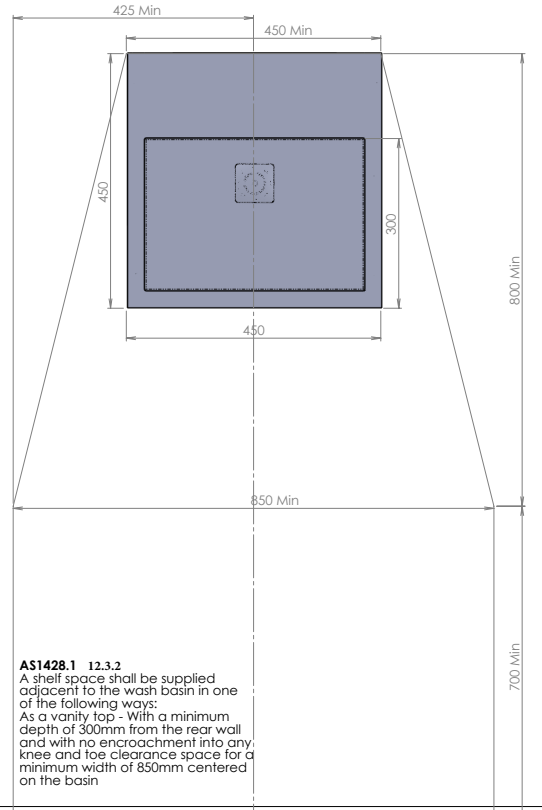
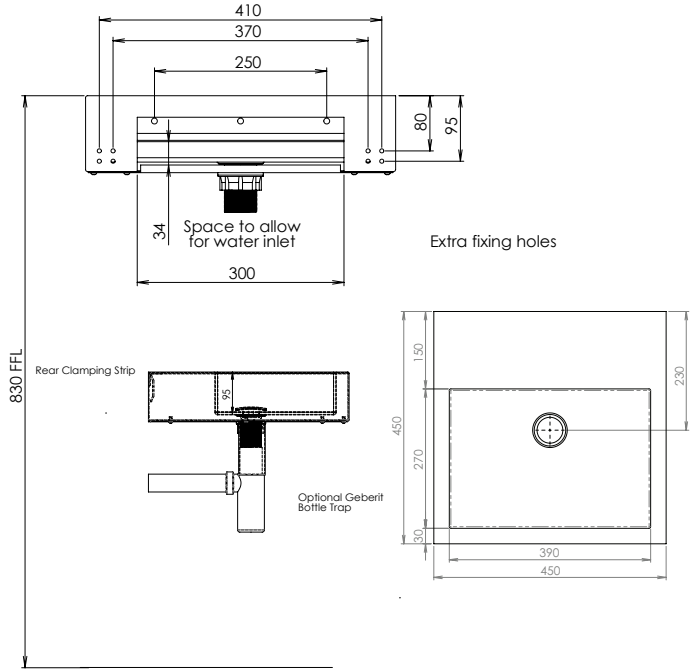
**TW-G-185**  
Curved Sensor Tap with Power Generator



**BTRAP**  
Bottle Trap



**TW-MIX-L**  
Hob Mounted Mixer Tap Lever Action



specifying guide

When specifying this product please include:

- Product Name and Code

options

- Integral Shelf Unit Centre/ Left Hand Side / Right Hand Side
- Tapware (optional)
- Bottle Trap (optional)

VISIT [BRITEX.COM.AU](http://BRITEX.COM.AU) TO DOWNLOAD BIM FILES, CAD DRAWINGS AND THE MOST CURRENT PRODUCT LITERATURE.

Last Revised May 2024



Due to ongoing research and our commitment to product development, details are subject to change without notice. Details accurate at time of print. Please refer to [britex.com.au](http://britex.com.au) for the most current product information. Allow +/- 5mm tolerance for dimensions and setouts shown in product literature.

