



WaterMark
AS1772 LIC. WMB 020054
BRITEX, PC, PG, PFS, PB&B
WaterMark Licence Approved
4.5L



PTSD

The BRITEX Stainless Steel Accessible Toilet Suite is a robust yet stylish compact suite that incorporates a vandal-resistant toilet pan and dual flush cistern. It is designed to conform to the Australian Standard for Accessibility - AS1428. A pressed internal bowl area and unique trap design make the pan extremely water efficient and much less susceptible to costly blockages in public amenities. Being close-coupled, the suite is hygienic, highly resistant to vandalism and allows for ease of cleaning. Perfect for public toilets and areas that require high-security fixtures without compromising on aesthetics. WaterMark and WELS are certified as required by plumbing regulations and government legislation. A vandal-resistant toilet backrest as required by AS1428 is optional.

Features and Benefits

- WELS and Watermark-certified
- Accessibility code - AS1428 compliant
- Ultra vandal resistant
- Centurion or Grandeur pan
- Unique blockage-resistant trap
- Supplied pre-plumbed
- Robust construction
- Concealed fixings
- Optional Toilet Backrest - as required by AS1428
- Left and right access panels
- Option for fitted, closed-fronted Toilet Seat
- Double-skinned cistern casing
- Suits pubs, clubs and public amenities

Sample Spec

BRITEX S.S. Disabled Centurion Toilet Suite. 4* WELS rating and WaterMark certified. *S*- trap pan to have 14mm safety radius front edge and 2 x side access panels, fully shrouded to rear wall and double-skinned cistern case with raised buttons. Supplied with *Black* Vandal Resistant Toilet Seat. AS1428 compliant - Product Code PTSD*S-SVRC-B*

*RED TEXT may denote a **variable** where one option only is to be selected, a **nominal dimension** that needs to be specified, or an **optional feature** that can be removed if not required. Please refer to the back of this page for additional specification details and options.

HOW TO SPECIFY: Accessible Toilet Suite

Sample Specification Code

A **B** **C**
PTSD **S - SVRC-B**

= Accessible Toilet Suite, S Trap with Black Vandal Resistant Closed Front Toilet Seat

Specification Key

A = Product Code **C = Toilet Seat**
SVRC-B: Black
SVRC-N: Navy

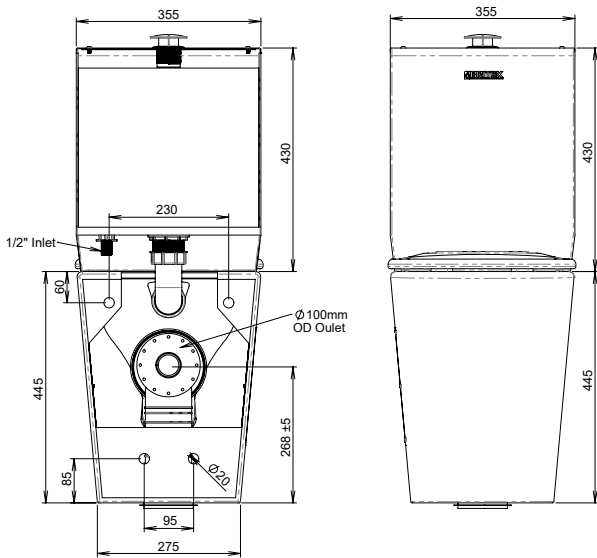
B = Trap Type
P: P Trap
S: S Trap

Toilet Seats

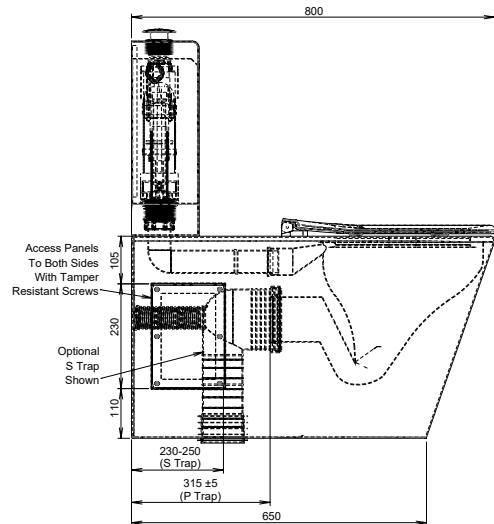


*Refer to Britex **Guide for Accessibility** Brochure for Grab Rails and Backrest guidance

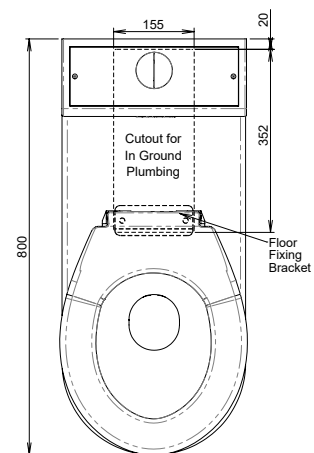
MODEL PTSD Rear and Front Elevation



MODEL PTSD Side Elevation



MODEL PTSD Plan



Add ons

- Toilet Backrest and Grab Rails - as required by AS1428

VISIT BRITEX.COM.AU TO DOWNLOAD BIM FILES, CAD DRAWINGS AND THE MOST CURRENT PRODUCT LITERATURE.

Last Revised 5 Feb 2025 | B



Due to ongoing research and our commitment to product development, details are subject to change without notice. Details accurate at time of print. Please refer to britex.com.au for the most current product information. Allow +/- 5mm tolerance for dimensions and setouts shown in product literature.

britex.com.au | sales@britex.com.au | A.B.N 83 004 309 737

