

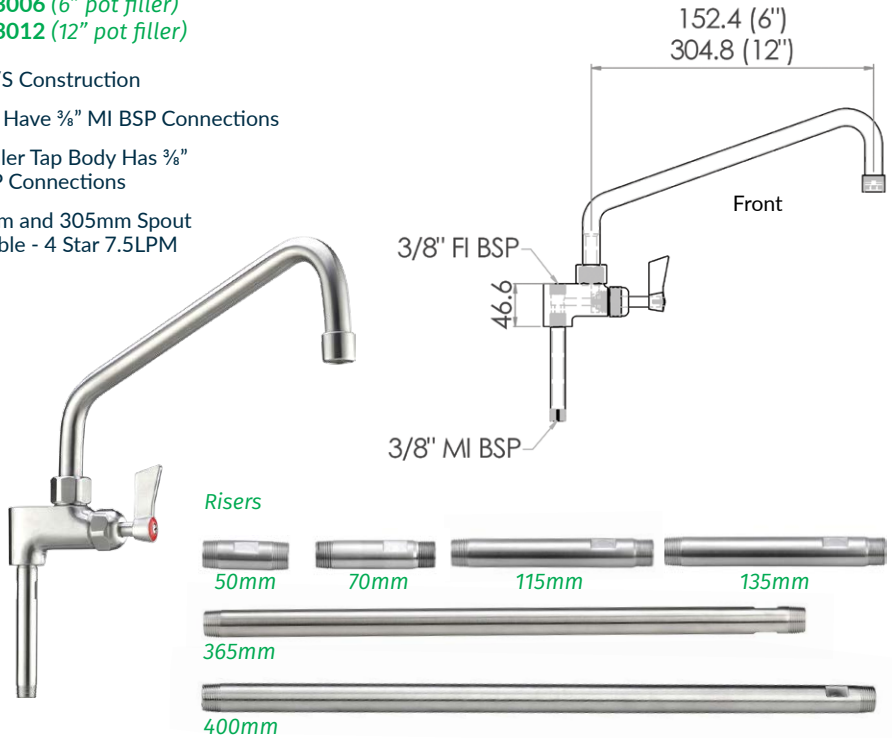
Accessories & Spare Parts



Pot Fillers & Risers

T-3M203006 (6" pot filler)
T-3M203012 (12" pot filler)

- Full S/S Construction
- Risers Have 3/8" MI BSP Connections
- Pot Filler Tap Body Has 3/8" FI BSP Connections
- 152mm and 305mm Spout Available - 4 Star 7.5LPM



RISERS TO SUIT TAP BODY TO UNDERSIDE OF POT FILLER BODY	RISERS TO SUIT TOP SIDE OF POT FILLER BODY OR MAIN TAP BODY TO SPRING TO RISER ADAPTOR
T-3M2927-50	T-3M2927-50T
T-3M2927-70	T-3M2927-70T
T-3M2927-115	T-3M2927-115T
T-3M2927-135	T-3M2927-135T
	T-3M2927-365
	T-3M2927-400

*Exclusions apply