

Commercial Tapware



CLEANAJET[®]
STAINLESS STEEL

Dual Bench Mount Pre Rinse Unit with Line Retractor

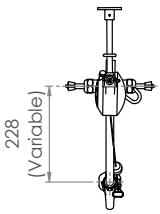


T-3M53500

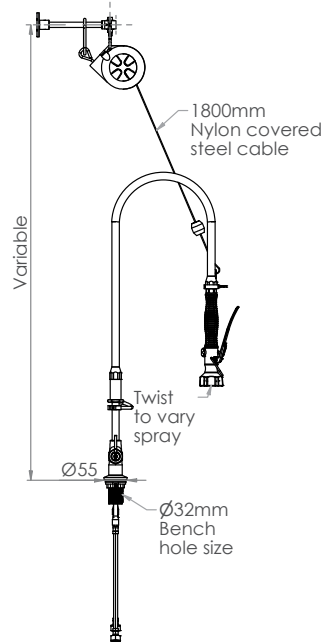
- Full S/S Construction
- Comes Complete with a Line Retractor, with 1800mm Cable
- Equipped with a Water Saving 6 Star 4.5LPM Variable Trigger Valve
- Fully Assembled and Bench Tested, with a Unique Traceable Serial Number
- Working Pressure Range 150kPa-500kPa
- Maximum Operating Temperature 80 Degrees



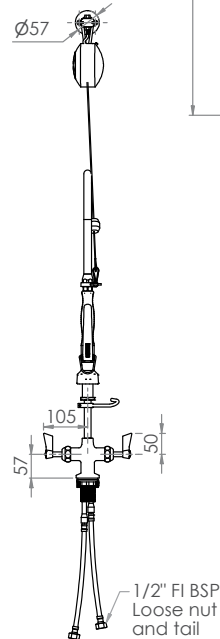
Top



Side



Front



*Exclusions apply

3monkeez.com.au