

Commercial Tapware



CLEANAJET
STAINLESS STEEL

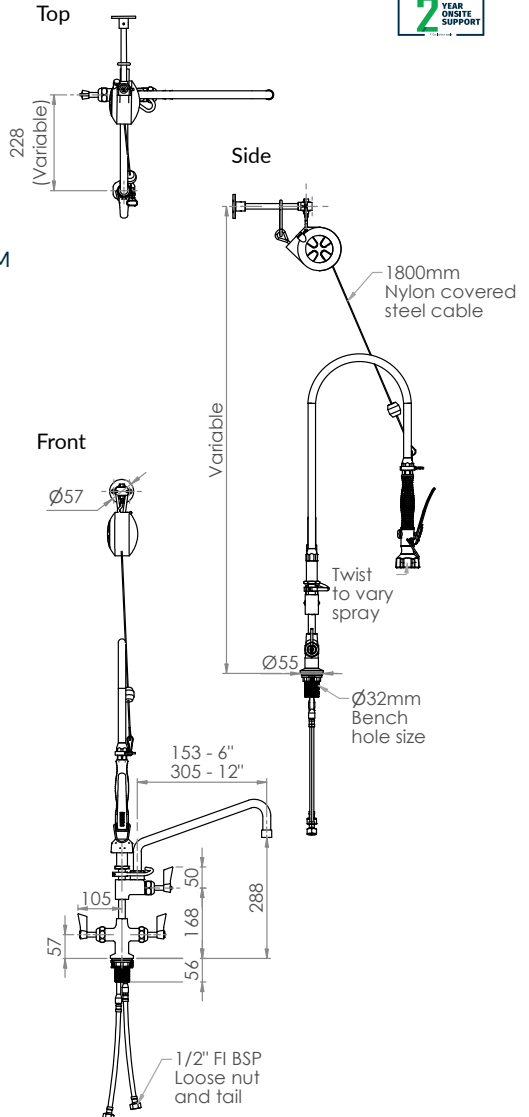
Dual Bench Pre Rinse Unit with Line Retractor and Pot Filler



T-3M53506 – 6" pot filler

T-3M53512 – 12" pot filler

- Full S/S Construction
- Comes Complete with a Line Retractor, with 1800mm Cable
- Equipped with a Water Saving 6 Star 4.5LPM Variable Trigger Valve
- Available with 6" or 12" Pot Filler – 4 Star 7.5LPM
- Fully Assembled and Bench Tested, with a Unique Traceable Serial Number
- Working Pressure Range 150kPa-500kPa
- Maximum Operating Temperature 80 Degrees



*Exclusions apply

3monkeez.com.au