

# Accessories & Spare Parts



# GUARDIAN<sup>®</sup> TAPWARE

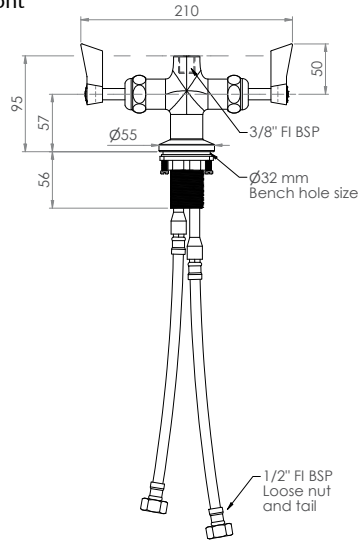
## Dual Bench Mount Tap Body

### T-3M63134

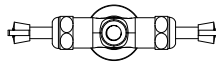
- Full S/S Construction
- Dual Bench Tap Body Includes Inlet Hoses
- ½ Turn Rising Spindles
- Inlet Hoses Have ½" FI BSP Loose Nut and Tail
- ¾" FI BSP Riser Connection
- Working Pressure Range 150 - 500kPa
- Maximum Hot Water Temperature - 80°C



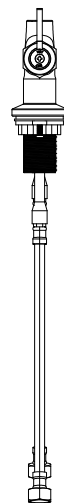
Front



Top



Side



\*Exclusions apply

[3monkeez.com.au](http://3monkeez.com.au)