

# Commercial Tapware

## Hot Wash Reel & Trigger Valve

**T-TWHWR1215SG** (hot wash reel, hose and gun)

**T-TWHWR1215** (hot wash reel and hose)

**T-TWSGV65SVL** (trigger gun)

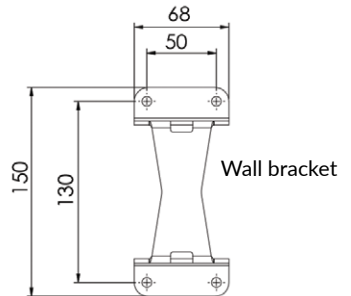
- Reel Hose is 12mm Internal Diameter x 15m Length
- Reel Has ½" FI BSP Inlet
- Reel Has ½" MI BSP Outlet
- Trigger Valve Has ½" FI BSP Inlet
- Maximum Working Pressure 550kPa
- Maximum Operating Temperature 80 Degrees



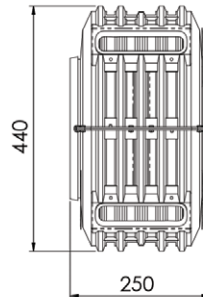
**T-TWHWR1215**  
(Hot Wash Reel and Hose)



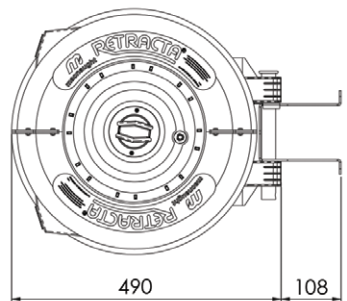
**T-TWSGV65SVL**  
(Trigger Gun)



Front



Side



\*Exclusions apply

[3monkeez.com.au](http://3monkeez.com.au)